

PhiCap PFC Capacitors

Biodegradable soft resin impregnated • Stacked winding • Dual safety system

General

PhiCap capacitors are a tried and tested series of MKP (metalized polypropylene) capacitors from EPCOS which have been used for PFC applications for more than 15 years.

The power range varies from 0.5 to 30.0 kvar and 0.7 to 6.0 kvar per single capacitor can, depending on a three-phase or single-phase capacitor design.

The PhiCap capacitor is especially intended for power factor correction in industrial applications.

The capacitors are manufactured using metalized polypropylene film as the dielectric and housed in a cylindrical aluminum case.



Applications

- Power Factor Correction (PFC)
- Automatic capacitor banks
- Fixed PFC applications, e.g. motor compensation
- Detuned PFC systems
- Dynamic PFC systems

Features

- Compact design in cylindrical aluminum can with stud
- Stacked winding
- MKP technology
- Voltage range 230 ... 525 V
- Output range 0.5 ... 30 kvar

Electrical

- Up to 30 kvar per case for three-phase applications
- Up to 6 kvar per case for single-phase applications
- Long life expectancy of up to 135 000 hours
- High pulse current withstand capability (up to $200 \cdot I_R$)

Mechanical and maintenance

- Reduced mounting costs, easy installation and connection
- Low weight and compact volume
- Maintenance-free

Safety

- Self-healing
- Overpressure disconnecter
- Shock hazard protected optimized capacitor safety terminal for B32344 series

PhiCap PFC Capacitors

Biodegradable soft resin impregnated • Stacked winding • Dual safety system

Technical data and limit values		
Standards IEC 60831-1+2, IS: 13340/41, GOST		
Overvoltage	V_{\max}	$V_R + 10\%$ (up to 8 h daily) / $V_R + 15\%$ (up to 30 min daily) / $V_R + 20\%$ (up to 5 min daily) / $V_R + 30\%$ (up to 1 min daily)
Overcurrent	I_{\max}	up to $1.5 \cdot I_R$ including combined effects of harmonics, overvoltages and capacitance
Inrush current	I_S	up to $200 \cdot I_R$
Losses: – Dielectric – Total*		< 0.2 W/kvar < 0.45 W/kvar
Rated frequency	f	50/60 Hz
Capacitance tolerance		–5% / 10%
Test voltage, terminal / terminal	V_{TT}	$2.15 \cdot V_R$, AC, 2 s
Test voltage, terminal / case	V_{TC}	3 000 V AC, 10 s
Mean life expectancy	$t_{LD(Co)}$	up to 135 000 h (temperature class –40/C) up to 100 000 h (temperature class –40/D)
Ambient temperature		–40/D; max. temp. 55 °C; max. mean 24 h = 45 °C; max. mean 1 year = 35 °C; lowest temperature = –40 °C
Cooling		natural or forced
Humidity	H_{rel}	max. 95%
Altitude		max. 4 000 m above sea level
Mounting position		upright
Mounting and grounding		threaded M12 (10 Nm) for case size diam. > 53 mm M8 (4 Nm) for case size diam. ≤ 53 mm
Safety		self-healing technology, overpressure disconnecter, maximum allowed fault current 10 000 A in accordance with UL 810 standard
Discharge device		discharge resistor included; pre-mounted for B32344 series
Case		extruded aluminum can
Enclosure		IP00 for B32340/B32343, indoor mounting (IP54 for B32344 with plastic terminal cap; for other series please refer to page 35)
Dielectric		polypropylene film
Impregnation		biodegradable soft resin, semi-dry
Terminals		optimized capacitor safety terminals for B32344 series, max. current 50 A, max. 16 mm ² cable cross section, fast-on terminals for B32340 and B32343 series
Number of switching operations		max. 5 000 switchings per year according to IEC 60831-1+2

* Without discharge resistor

PhiCap PFC Capacitors

Biodegradable soft resin impregnated ● Stacked winding ● Dual safety system

Three-phase capacitors									
Type	50 Hz		60 Hz		C _R μF	d x h mm	Weight kg	Ordering code	Packing unit*
	Output kvar	I _R A	Output kvar	I _R A					
Rated voltage 230 V AC, 50/60 Hz, delta connection									
MKP230-D-0.5	0.5	1.3	0.6	1.6	3 · 10	53 x 114	0.3	B32343C2002A530	12
MKP230-D-0.7	0.7	1.9	0.9	2.3	3 · 15	53 x 114	0.3	B32343C2002A730	12
MKP230-D-1.0	1.0	2.5	1.2	3.0	3 · 20	63.5 x 129	0.3	B32343C2012A030	12
MKP230-D-1.5	1.5	3.8	1.8	4.6	3 · 30	63.5 x 129	0.4	B32343C2012A530	12
MKP230-D-2.0	2.0	5.0	2.4	6.0	3 · 42	75 x 138	0.4	B32344E2022A030	6
MKP230-D-2.5	2.5	6.3	3.0	7.5	3 · 50	75 x 138	0.4	B32344E2022A530	6
MKP230-D-5.0	5.0	12.6	6.0	15.1	3 · 100	75 x 198	0.6	B32344E2052A030	6
MKP230-D-7.5	7.5	18.8	9.0	22.6	3 · 150	85 x 198	0.8	B32344E2072A530	4
MKP230-D-10.0	10.0	25.1	12.0	30.2	3 · 200	85 x 273	1.2	B32344E2102A030	4
MKP230-D-12.5	12.5	31.4	15.0	37.7	3 · 250	85 x 348	1.5	B32344E2122A530	4
MKP230-D-15.0	15.0	37.7	–	–	3 · 300	85 x 348	1.5	B32344E2152A030	4
Rated voltage 400 V AC, 50/60 Hz, delta connection									
MKP400-D-1.0	1.0	1.4	1.2	1.7	3 · 7	53 x 114	0.3	B32343C4012A000	12
MKP400-D-1.5	1.5	2.2	1.8	2.6	3 · 10	53 x 114	0.3	B32343C4012A500	12
MKP400-D-2.0	2.0	2.9	2.4	3.5	3 · 13	63.5 x 129	0.4	B32343C4022A000	12
MKP400-D-2.5	2.5	3.6	3.0	4.3	3 · 17	63.5 x 129	0.4	B32343C4022A500	12
MKP400-D-5.0	5.0	7.2	6.0	8.6	3 · 33	63.5 x 129	0.4	B32343C4052A000	12
MKP400-D-6.3	6.3	9.1	7.5	11.0	3 · 42	75 x 160	0.5	B32344E4071A500	6
MKP400-D-7.5	7.5	10.8	9.0	13.0	3 · 50	75 x 160	0.5	B32344E4072A500	6
MKP400-D-8.3	8.3	12.0	10.0	14.5	3 · 55	75 x 160	0.5	B32344E4101A000	6
MKP400-D-10.0	10.0	14.5	12.0	17.3	3 · 67	75 x 198	0.6	B32344E4102A000	6
MKP400-D-12.5	12.5	18.1	15.0	21.7	3 · 83	85 x 198	0.8	B32344E4122A500	4
MKP400-D-15.0	15.0	21.7	18.0	26.0	3 · 100	85 x 198	0.8	B32344E4152A000	4
MKP400-D-16.7	16.7	24.1	20.0	28.9	3 · 111	85 x 198	0.8	B32344E4201A000	4
MKP400-D-20.0	20.0	28.9	24.0	34.7	3 · 133	85 x 273	1.1	B32344E4202A000	4
MKP400-D-25.0	25.0	36.1	–	–	3 · 166	85 x 273	1.5	B32344E4252A000	4
Rated voltage 415 V AC, 50/60 Hz, delta connection									
MKP415-D-1.0	1.0	1.4	1.2	1.6	3 · 6	53 x 114	0.3	B32343C4012A010	12
MKP415-D-1.5	1.5	2.1	1.8	2.4	3 · 9	53 x 114	0.3	B32343C4012A510	12
MKP415-D-2.0	2.0	2.8	2.4	3.4	3 · 12	53 x 114	0.4	B32343C4022A010	12
MKP415-D-2.5	2.5	3.5	3.0	4.2	3 · 15	63.5 x 129	0.4	B32343C4022A510	12
MKP415-D-5.0	5.0	7.0	6.0	8.4	3 · 31	63.5 x 154	0.4	B32343C4052A010	12
MKP415-D-6.3	6.3	8.8	7.5	10.6	3 · 39	75 x 160	0.5	B32344E4071A510	6
MKP415-D-7.5	7.5	10.4	9.0	12.5	3 · 46	75 x 198	0.6	B32344E4072A510	6
MKP415-D-10.0	10.0	13.9	12.0	16.7	3 · 62	75 x 198	0.6	B32344E4102A010	6
MKP415-D-12.5	12.5	17.4	15.0	20.9	3 · 77	85 x 198	0.8	B32344E4122A510	4
MKP415-D-15.0	15.0	20.9	18.0	25.1	3 · 92	85 x 273	1.2	B32344E4152A010	4
MKP415-D-20.0	20.0	27.9	24.0	33.4	3 · 123	85 x 273	1.2	B32344E4202A010	4
MKP415-D-25.0	25.0	34.8	–	–	3 · 154	85 x 348	1.5	B32344E4252A010	4
Rated voltage 440 V AC, 50/60 Hz, delta connection									
MKP440-D-0.9	0.9	1.2	1.0	1.3	3 · 5	53 x 114	0.3	B32343C4011A040	12
MKP440-D-1.0	1.0	1.3	1.2	1.6	3 · 6	53 x 114	0.3	B32343C4012A040	12
MKP440-D-1.2	1.2	1.6	1.5	2.0	3 · 7	53 x 114	0.3	B32343C4011A540	12

Types for voltages 220, 240, 480, 600, 660 V and other kvar-values available upon request.

* Packing units for capacitors equal minimum order quantity. Orders will be rounded up to packing unit or multiple thereof.

PhiCap PFC Capacitors

Biodegradable soft resin impregnated • Stacked winding • Dual safety system

Three-phase capacitors									
Type	50 Hz		60 Hz		C _R μF	d x h mm	Weight kg	Ordering code	Packing unit*
	Output kvar	I _R A	Output kvar	I _R A					
Rated voltage 440 V AC, 50 / 60 Hz, delta connection									
MKP440-D-1.5	1.5	2.0	1.8	2.3	3 · 8	53 x 114	0.3	B32343C4012A540	12
MKP440-D-2.1	2.1	2.7	2.5	3.3	3 · 11	53 x 114	0.4	B32343C4021A540	12
MKP440-D-2.5	2.5	3.3	3.0	3.9	3 · 14	63.5 x 129	0.3	B32343C4022A540	12
MKP440-D-4.2	4.2	5.5	5.0	6.6	3 · 23	63.5 x 129	0.4	B32343C4051A040	12
MKP440-D-5.0	5.0	6.5	6.0	7.8	3 · 27	63.5 x 154	0.5	B32343C4052A040	12
MKP440-D-6.3	6.3	8.3	7.5	9.9	3 · 34	75 x 160	0.5	B32344E4071A540	6
MKP440-D-7.5	7.5	9.9	9.0	11.8	3 · 41	75 x 160	0.5	B32344E4072A540	6
MKP440-D-8.3	8.3	10.9	10.0	13.1	3 · 46	75 x 198	0.6	B32344E4101A040	6
MKP440-D-10.0	10.0	13.1	12.0	15.8	3 · 55	75 x 198	0.6	B32344E4102A040	6
MKP440-D-10.4	10.4	13.7	12.5	16.4	3 · 57	75 x 198	0.6	B32344E4121A540	6
MKP440-D-12.5	12.5	16.4	15.0	19.7	3 · 69	85 x 198	0.8	B32344E4151A040	4
MKP440-D-15.0	15.0	19.7	18.0	23.6	3 · 82	85 x 273	1.2	B32344E4152A040	4
MKP440-D-16.7	16.7	21.9	20.0	26.3	3 · 92	85 x 273	1.2	B32344E4201A040	4
MKP440-D-20.8	20.8	27.3	25.0	32.8	3 · 114	85 x 273	1.2	B32344E4251A040	4
MKP440-D-25.0	25.0	32.8	30.0	40.0	3 · 138	85 x 348	1.5	B32344E4252A040	4
MKP440-D-28.0	28.0	36.8	–	–	3 · 154	85 x 348	1.5	B32344E4282A040	4
MKP440-D-30.0	30.0	39.0	–	–	3 · 165	85 x 348	1.6	B32344E4302A040	4
Rated voltage 480 V AC, 50 / 60 Hz, delta connection									
MKP480-D-1.5	1.5	1.8	1.8	2.2	3 · 7	63.5 x 129	0.4	B32343C4012A580	12
MKP480-D-2.0	2.0	2.4	2.4	2.9	3 · 9	63.5 x 129	0.4	B32343C4022A080	12
MKP480-D-2.5	2.5	3.0	3.0	3.6	3 · 11	63.5 x 129	0.4	B32343C4022A580	12
MKP480-D-4.2	4.2	5.1	5.0	6.1	3 · 19	63.5 x 154	0.5	B32343C4051A080	12
MKP480-D-5.0	5.0	6.0	6.0	7.2	3 · 23	75 x 160	0.5	B32344E4052A080	6
MKP480-D-6.3	6.3	7.6	7.6	9.1	3 · 29	75 x 160	0.5	B32344E4071A580	6
MKP480-D-7.5	7.5	9.0	9.0	10.8	3 · 35	75 x 198	0.6	B32344E4072A580	6
MKP480-D-8.3	8.3	10.0	10.0	12.0	3 · 38	75 x 198	0.6	B32344E4101A080	6
MKP480-D-10.4	10.4	12.5	12.5	15.0	3 · 48	85 x 198	0.8	B32344E4121A580	4
MKP480-D-12.5	12.5	15.1	15.0	18.1	3 · 58	85 x 198	0.8	B32344E4151A080	4
MKP480-D-15.0	15.0	18.1	18.0	21.7	3 · 69	85 x 273	1.2	B32344E4152A080	4
MKP480-D-16.7	16.7	20.1	20.0	24.1	3 · 77	85 x 273	1.2	B32344E4162A780	4
MKP480-D-20.8	20.8	25.0	25.0	30.1	3 · 96	85 x 273	1.2	B32344E4202A080	4
MKP480-D-25.0	25.0	30.1	30.0	36.1	3 · 115	85 x 348	1.5	B32344E4252A080	4
MKP480-D-30.0	30.0	36.1	–	–	3 · 138	90 x 348	1.5	B32344E4302A080	4
Rated voltage 525 V AC, 50 / 60 Hz, delta connection									
MKP525-D-1.0	1.0	1.1	1.2	1.3	3 · 4	53 x 114	0.3	B32343C5012A020	12
MKP525-D-1.5	1.5	1.6	1.8	2.0	3 · 6	53 x 114	0.3	B32343C5012A520	12
MKP525-D-2.0	2.0	2.2	2.4	2.6	3 · 8	63.5 x 129	0.4	B32343C5022A020	12
MKP525-D-2.5	2.5	2.7	2.7	3.0	3 · 9	63.5 x 129	0.4	B32343C5022A520	12
MKP525-D-5.0	5.0	5.5	6.0	6.6	3 · 19	75 x 160	0.3	B32344E5061A020	6
MKP525-D-6.3	6.3	6.9	7.6	8.3	3 · 24	75 x 160	0.5	B32344E5071A520	6
MKP525-D-8.3	8.3	9.1	10.0	11.0	3 · 32	75 x 198	0.6	B32344E5101A020	6
MKP525-D-10.4	10.4	11.5	12.5	13.7	3 · 40	85 x 198	0.8	B32344E5121A520	4
MKP525-D-12.5	12.5	13.8	15.0	16.5	3 · 48	85 x 273	1.2	B32344E5151A020	4
MKP525-D-16.7	16.7	18.3	20.0	21.9	3 · 64	85 x 273	1.2	B32344E5201A020	4
MKP525-D-20.8	20.8	22.9	25.0	27.5	3 · 80	85 x 348	1.5	B32344E5202A020	4
MKP525-D-25.0	25.0	27.5	30.0	33.0	3 · 96	85 x 348	1.5	B32344E5252A020	4

Types for voltages 220, 240, 480, 600, 660 V and other kvar-values available upon request.

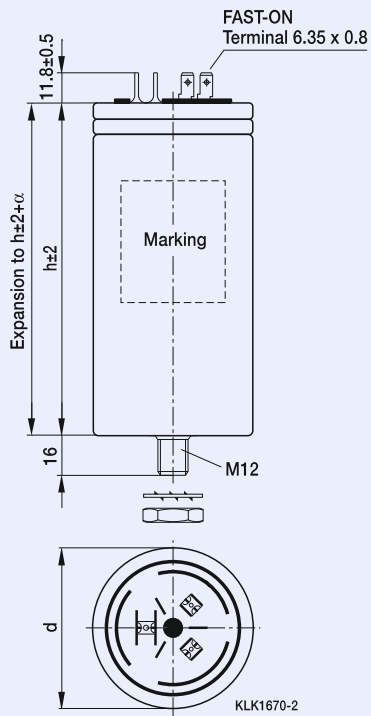
* Packing units for capacitors equal minimum order quantity. Orders will be rounded up to packing unit or multiple thereof.

PhiCap PFC Capacitors

Biodegradable soft resin impregnated • Stacked winding • Dual safety system

Dimensional drawings: three-phase capacitors

Capacitor B32343 series

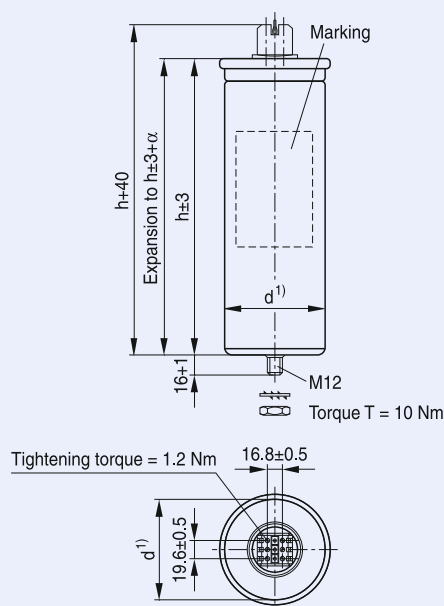


Creepage distance	10.5 mm (ø 53) 10.0 mm (ø 63.5)
Clearance	13.0 mm (ø 53) 16.5 mm (ø 63.5)
Diameter (ø)	53.0 mm 63.5 mm
Expansion α	max. 12 mm

Mounting

	M12 (ø 63.5 mm)	M8 (ø 53.0 mm)
Torque	T = 10 Nm	T = 4 Nm
Toothed washer	J12.5 DIN 6797	J8.0 DIN 6797
Hex nut	BM12 DIN 439	BM 8 DIN 439

Capacitor B32344 series



Creepage distance	9.6 mm
Clearance	12.7 mm
Diameter d (ø)	75.0 mm / 85.0 mm
Expansion α	max. 13 mm

Mounting

	M12
Torque	T = 10 Nm
Toothed washer	J12.5 DIN 6797
Hex nut	BM12 DIN 439

¹⁾ Seaming adds 4 mm in diameter

KLK1842-9-E

PhiCap PFC Capacitors

Biodegradable soft resin impregnated • Stacked winding • Dual safety system

Single-phase capacitors									
Type	50 Hz		60 Hz		C _R μF	d x h mm	Weight kg	Ordering code	Packing unit*
	Output kvar	I _R A	Output kvar	I _R A					
Rated voltage 230 V AC, 50 / 60 Hz									
MKP230-I-0.8	0.8	3.6	1.0	4.3	50	63.5 x 105	0.30	B32340C2002A830	12
MKP230-I-1.7	1.7	7.2	2.0	8.7	100	63.5 x 142	0.40	B32340C2012A730	12
MKP230-I-2.5	2.5	10.9	3.0	13.1	150	63.5 x 142	0.50	B32340C2022A530	12
Rated voltage 400 V AC, 50 / 60 Hz									
MKP400-I-0.8	0.8	2.0	1.0	2.3	15	63.5 x 68	0.30	B32340C3001A880	12
MKP400-I-1.7	1.7	4.2	2.0	5.0	33	63.5 x 68	0.30	B32340C4012A700	12
MKP400-I-2.5	2.5	6.3	3.0	7.5	50	63.5 x 105	0.40	B32340C4022A500	12
MKP400-I-3.3	3.3	8.4	4.0	10.0	66	63.5 x 105	0.40	B32340C4032A300	12
MKP400-I-4.2	4.2	10.4	5.0	12.5	84	63.5 x 142	0.40	B32340C4051A000	12
MKP400-I-5.0	5.0	12.4	6.0	15.0	99	63.5 x 142	0.50	B32340C4052A000	12
Rated voltage 415 V AC, 50 / 60 Hz									
MKP415-I-0.8	0.8	2.0	1.0	2.4	15	63.5 x 68	0.35	B32340C4082A810	12
MKP415-I-1.7	1.7	4.0	2.0	4.8	31	63.5 x 105	0.45	B32340C4012A710	12
MKP415-I-2.5	2.5	6.0	3.0	7.2	46	63.5 x 105	0.50	B32340C4022A510	12
MKP415-I-3.3	3.3	8.0	4.0	9.7	62	63.5 x 142	0.50	B32340C4032A310	12
MKP415-I-5.0	5.0	12.0	6.0	14.5	91	63.5 x 142	0.60	B32340C4052A010	12
Rated voltage 440 V AC, 50 / 60 Hz									
MKP440-I-0.7	0.7	1.6	0.8	1.9	11	63.5 x 68	0.30	B32340C4001A840	12
MKP440-I-1.4	1.4	3.2	1.7	3.8	23	63.5 x 68	0.30	B32340C4011A740	12
MKP440-I-2.1	2.1	4.7	2.5	5.7	34	63.5 x 105	0.40	B32340C4021A540	12
MKP440-I-2.8	2.8	6.4	3.3	7.6	46	63.5 x 105	0.40	B32340C4031A340	12
MKP440-I-3.3	3.3	7.6	4.0	9.1	55	63.5 x 142	0.50	B32340C4032A340	12
MKP440-I-4.2	4.2	9.5	5.0	11.4	68	63.5 x 142	0.50	B32340C4051A040	12
MKP440-I-5.0	5.0	11.4	6.0	13.6	82	63.5 x 142	0.60	B32340C4052A040	12
Rated voltage 480 V AC, 50 / 60 Hz									
MKP480-I-0.7	0.7	1.5	0.8	1.7	10	63.5 x 105	0.30	B32340C4001A880	12
MKP480-I-1.4	1.4	2.9	1.7	3.5	19	63.5 x 105	0.30	B32340C4011A780	12
MKP480-I-2.1	2.1	4.3	2.5	5.2	29	63.5 x 105	0.50	B32340C4021A580	12
MKP480-I-2.8	2.8	5.8	3.3	6.9	38	63.5 x 142	0.50	B32340C4031A380	12
Rated voltage 525 V AC, 50 / 60 Hz									
MKP525-I-1.4	1.4	2.6	1.7	3.1	16	63.5 x 105	0.30	B32340C5011A720	12
MKP525-I-2.8	2.8	5.2	3.3	6.2	31	63.5 x 142	0.50	B32340C5031A330	12
MKP525-I-3.3	3.3	6.3	4.0	7.6	38	63.5 x 142	0.60	B32340C5032A320	12
MKP525-I-4.2	4.2	8.0	5.0	9.5	48	63.5 x 142	0.70	B32340C5051A020	12

Types for voltages 220, 240, 600, 660 V and other kvar-values available upon request.

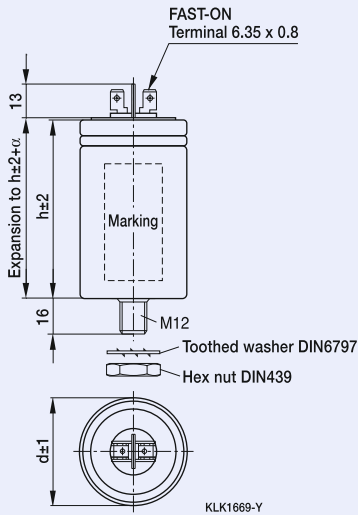
* Packing units for capacitors equal minimum order quantity. Orders will be rounded up to packing unit or multiple thereof.

PhiCap PFC Capacitors

Biodegradable soft resin impregnated • Stacked winding • Dual safety system

Dimensional drawings: single-phase capacitors

Capacitor B32340 series

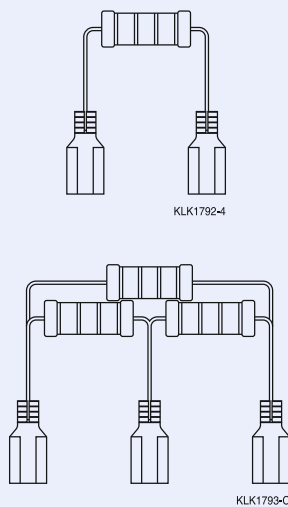


Creepage distance	10.0 mm
Clearance	16.5 mm
Diameter (\varnothing)	63.5 mm
Expansion α	max. 12 mm

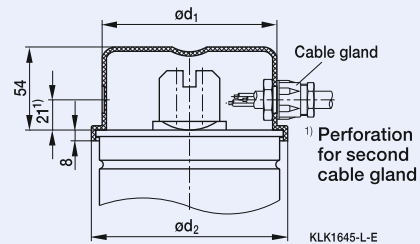
Mounting

Mounting	M12
Torque	T = 10 Nm
Toothed washer	J12.5 DIN 6797
Hex nut	BM12 DIN 439

Discharge resistors for B32340 and B32343 series



Protective cover for terminal, protection class / IP54



\varnothing in mm	Ordering code
53.0	B44066K0530A000*
63.5	B44066K0635A000*
75	B44066K0795A000
85	B44066K0895A000

* For B32340 and B32343 series (diameter 53.0 and 63.5 mm), terminal covers with cable entry on top

For IP54 additional cable gland at cable entry required.

Discharge resistor for B32344 series refer to page 18.